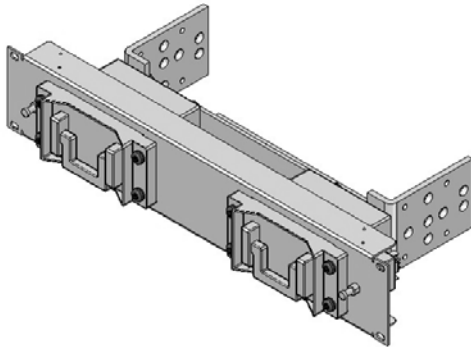
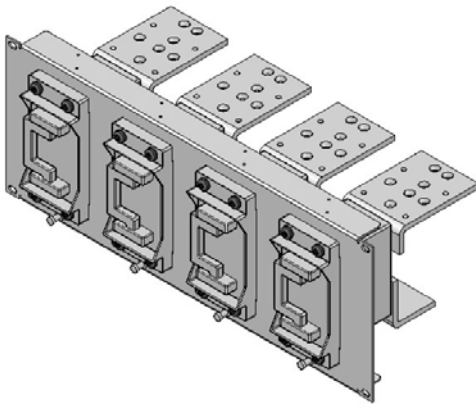


DCF0208 and DCF0408 Fuse Distributions Modules



The DCF0208 and DCF0408 DC fuse distributions provide circuit protection for a wide selection of telecommunications loads requiring up to 800A fuse protection. All Fuses are alarmed and provide volts free alarm contacts through shunt trip circuit breakers. The DCF0208 and DCF0408 are designed to comply with recognized international standards and for complete operator safety.



Features

- 19" rack mount
- 2U or 4U module
- 2 or 4 telpower fuse holders
- Selection of fuse ratings up to 800A
- Volts free fuse fail alarms
- Compliance with international standards

Technical Specification

Brief Technical Specifications

Voltage Range	20 – 70Vdc
Maximum Current	640A @ 40°C [102°F] per fuse
Fuse Type	Bussmann TPL
Fuse Current Ratings	250A, 300A, 350A, 400A, 450A, 500A, 600A, 700A, 800A
Load Cable Termination	Two hole lugs onto output busbar
Alarms	Voltage free contacts
Operating Temperature Range	-10°C — +40°C [+14°F — +104°F] (UL)
Dimensions H,W,D	2U: 88mm [3.5"], 480mm [19" mounting], 200mm [8"] 4U: 177mm [7.0"], 480mm [19" mounting], 200mm [8"]

Certifications	Europe:	CE
	North America:	UL60950 pending
		UL1801 pending



Eaton, CellSure, SiteSure, DCTools and PowerManager are trade names, trademarks, and/or service marks of Eaton Corporation or its subsidiaries and affiliates. All other trademarks are property of their respective owners.