

Eaton 12V 200W Battery



Features

- UL-recognized components under UL924 and certified by ISO 9001 and ISO 14001
- Specially designed for high power density and long life applications
- Small volume, lightweight high discharge efficiency
- Can be used for more than 260 cycles at 100% discharge in cycle service
- Analytical Grade electrolyte
- Low self-discharge
- Built to comply with IEC 896-2, DIN 473534, BS 6290 Pt4, Eurobat
- Exclusive three-year battery parts coverage and one-year battery labor coverage

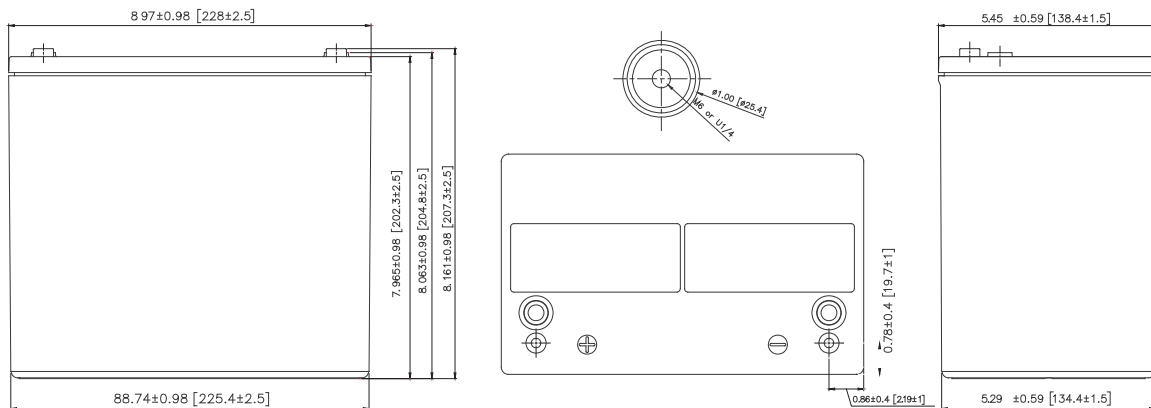
CONSTANT POWER DISCHARGE CHARACTERISTICS: WATTS/CELL (77°F, 25°C)

End point volts/cell	5 min	7.5 min	10 min	15 min	20 min	30 min	40 min	50 min	60 min	90 min
1.85V	264	235	210	172	142	108	88	75	66	49
1.80V	291	254	227	182	150	114	95	80	70	51
1.75V	319	275	242	193	158	118	99	83	72	53
1.70V	347	296	257	201	165	123	101	85	74	54
1.67V	363	307	265	206	168	125	102	86	74	54
1.60V	399	329	281	215	175	128	103	86	75	54

All mentioned values are average values per battery per cell.

Tolerance: X < 6 min (+15% ~ -15%), 6 min X < 10 min (+12% ~ -12%), 10 min X < 60 min (+8% ~ -8%), X 60 min (+5% ~ -5%)

DIMENSIONS [H x W x D, in (mm)]



Powering Business Worldwide

Technical specifications

Cells per unit	6
Voltage per unit	12
Capacity	200W @ 15-minute rate to 1.67V per cell @ 77°F (25°C)
Weight	Approximately 38.8 lb (17.6 kg)
Maximum discharge current	300A (5 sec)
Internal resistance	Approximately 5.9 mΩ
Operating temperature range	Discharge: 5°F~122°F (-15°C~50°C) Charge: 5°F~104°F (-15°C~40°C) Storage: 5°F~104°F (-15°C~40°C)
Nominal operating temperature range	77°F ± 5°F (25°C ± 3°C)
Float charging voltage	13.5 to 13.8 Vdc/unit Average at 77°F (25°C)
Recommended maximum charging current limit	20A
Equalization and cycle service	14.4 to 15.0 Vdc/unit Average at 77°F (25°C)
Self discharge	Batteries can be stored for six months at 77°F (25°C). Please charge batteries before using. For higher temperatures the time interval will be shorter. Voltage test prior to battery installation is recommended.
Terminal	12-thread lead alloy recessed terminal to accept M6 bolt
Container material	Polypropylene UL94-V0/File E50955 Flammability resistance of UL94-HB/File E216959 is available upon request.



PowerChain Management®

UNITED STATES
8609 Six Forks Road
Raleigh, NC 27615 U.S.A.
Toll Free: 1.800.356.5794
or 919.872.3020

www.powerware.com/batteries

CANADA
Ontario: 416.798.0112
Toll free: 1.800.461.9166

LATIN AMERICA
Argentina: 54.11.4124.4000
Brazil: 55.11.3616.8500
México: 52.55.9000.5252
Portugal: 55.11.3616.8500

EUROPE/MIDDLE EAST/AFRICA
Denmark: 45.3686.7910
Finland: 358.94.52.661
France: 33.1.6012.7400
Germany: 49.0.7841.604.0
Italy: 39.02.66.04.05.40
Norway: 47.23.03.65.50
Sweden: 46.8.598.940.00
United Kingdom: 44.1753.608.700

ASIA PACIFIC
Australia: 61.2.9693.9366
New Zealand: 64.0.3.343.3314
China: 86.21.6361.5599
HK/Korea/Taiwan: 852.2745.6682
India: 91.11.2649.9414 to 18
Singapore/SEA: 65.6825.1668

Eaton, Powerware and PowerChain Management are trade names, trademarks, and/or service marks of Eaton Corporation or its subsidiaries and affiliates. All other trademarks are the property of their respective owners.