

# Eaton 12V 500W Battery



## Features

- Designed for high power density applications
- Small volume, lightweight discharge efficiency
- Can be used for more than 260 cycles at 100% discharge in cycle service
- UL-recognized components under UL924 and certified by ISO 9001 and ISO 14001
- Built to comply with IEC 896-2, DIN 473534 BS 6290 OT4, Eurobat
- Exclusive three-year battery parts coverage and one-year battery labor coverage

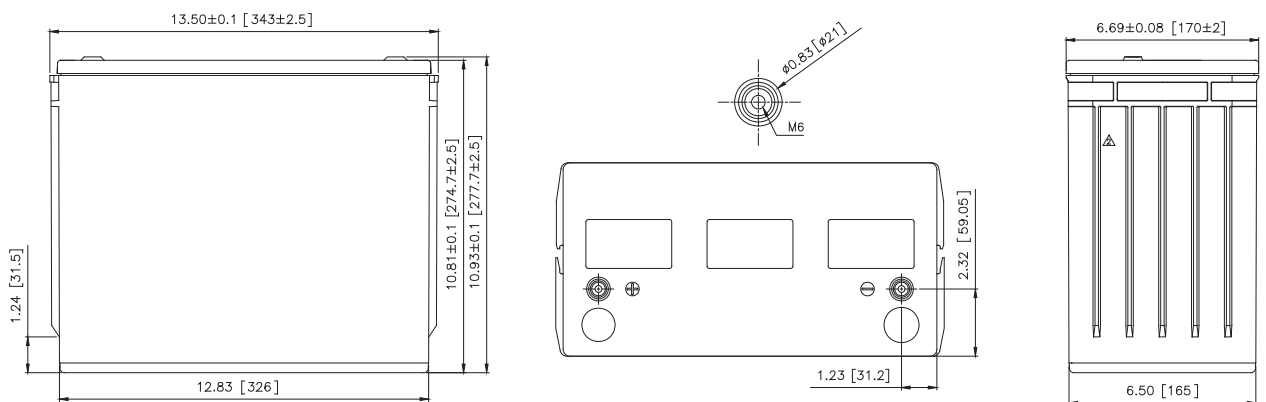
## CONSTANT POWER DISCHARGE CHARACTERISTICS: WATTS/CELL (77°F, 25°C)

End point volts/cell	5 min	7.5 min	10 min	15 min	20 min	30 min	40 min	50 min	60 min	90 min
1.85V	561	480	433	367	327	261	220	188	163	116
1.80V	638	557	492	416	356	276	232	198	171	122
1.75V	708	625	548	458	385	290	244	206	178	126
1.70V	773	685	602	489	404	305	251	210	181	127
1.67V	813	717	632	503	415	312	253	213	182	128
1.60V	879	782	695	530	432	325	260	215	185	131

All mentioned values are average values per battery per cell.

Tolerance: X <6 min (+15% ~ -15%), 6 min X <10 min (+12% ~ -12%), 10 min X <60 min (+8% ~ -8%), X 60 min (+5% ~ -5%)

## DIMENSIONS [H x W x D, in (mm)]



Powering Business Worldwide

# Technical specifications

Cells per unit	6
Voltage per unit	12
Capacity	500W @ 15-minute rate to 1.67V per cell @ 77°F (25°C)
Weight	Approximately 100.75 lb (45.7 kg)
Maximum discharge current	800A (5 sec)
Internal resistance	Approximately 3.7 mΩ
Operating temperature range	Discharge: 5°F~122°F (-15°C~50°C) Charge: 5°F~104°F (-15°C~40°C) Storage: 5°F~104°F (-15°C~40°C)
Nominal operating temperature range	77°F ± 5°F (25°C ± 3°C)
Float charging voltage	13.5 to 13.8 Vdc/unit Average at 77°F (25°C)
Recommended maximum charging current limit	50A
Equalization and cycle service	14.4 to 15.0 Vdc/unit Average at 77°F (25°C)
Self discharge	Batteries can be stored for six months at 77°F (25°C). Please charge batteries before using. For higher temperatures the time interval will be shorter. Voltage test prior to battery installation is recommended.
Terminal	12-thread lead alloy recessed terminal to accept M6 bolt
Container material	Polypropylene UL94-V0/File E50955 Flammability resistance of UL94-HB/File E216959 is available upon request.



PowerChain Management®

**UNITED STATES**  
8609 Six Forks Road  
Raleigh, NC 27615 U.S.A.  
Toll Free: 1.800.356.5794  
or 919.872.3020

[www.powerware.com/batteries](http://www.powerware.com/batteries)

**CANADA**  
Ontario: 416.798.0112  
Toll free: 1.800.461.9166

**LATIN AMERICA**  
Argentina: 54.11.4124.4000  
Brazil: 55.11.3616.8500  
México: 52.55.9000.5252  
Portugal: 55.11.3616.8500

**EUROPE/MIDDLE EAST/AFRICA**  
Denmark: 45.3686.7910  
Finland: 358.94.52.661  
France: 33.1.6012.7400  
Germany: 49.0.7841.604.0  
Italy: 39.02.66.04.05.40  
Norway: 47.23.03.65.50  
Sweden: 46.8.598.940.00  
United Kingdom: 44.1753.608.700

**ASIA PACIFIC**  
Australia: 61.2.9693.9366  
New Zealand: 64.0.3.343.3314  
China: 86.21.6361.5599  
HK/Korea/Taiwan: 852.2745.6682  
India: 91.11.2649.9414 to 18  
Singapore/SEA: 65.6825.1668

Eaton, Powerware and PowerChain Management are trade names, trademarks, and/or service marks of Eaton Corporation or its subsidiaries and affiliates. All other trademarks are the property of their respective owners.