

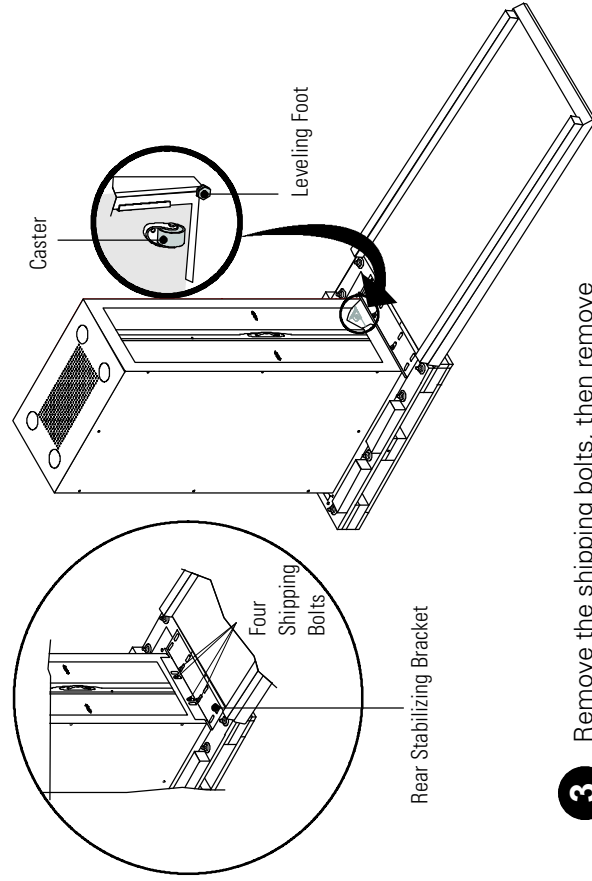
WARNING

Hold the ramp in place while cutting the banding strap. Otherwise, the ramp could fall and cause injury.



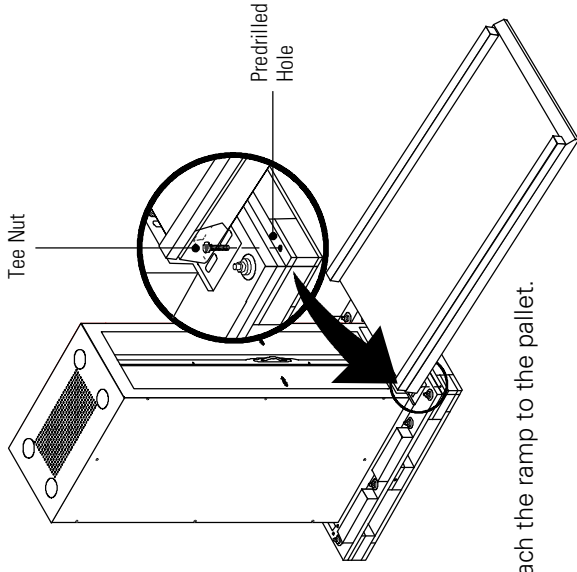
1

Unwrap the system and remove the ramp.



3

Remove the shipping bolts, then remove the front and rear stabilizing brackets. Retract the leveling feet.

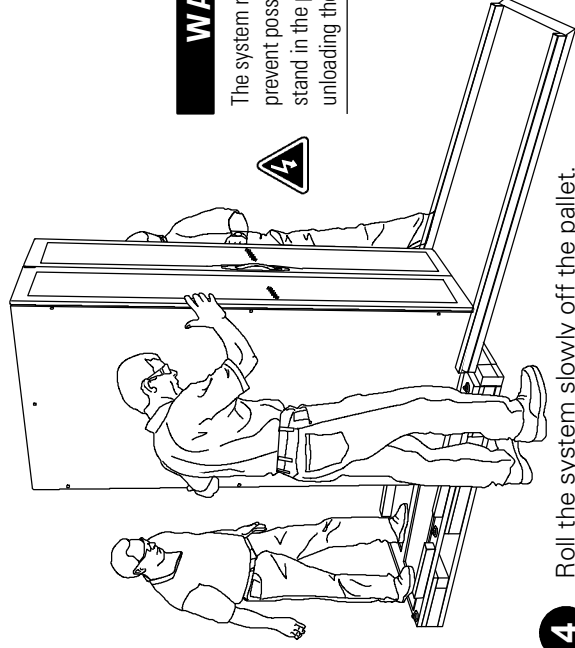


2

Attach the ramp to the pallet.

WARNING

The system rack is heavy. To prevent possible injury, do not stand in the path of the rack when unloading the rack from the pallet.



4

Roll the system slowly off the pallet.

NOTE Refer to the BladeUPS module user's guide for detailed information on how to unload the system.