

Relay Interface Card for Powerware X-Slot

General

This Relay Interface Card (p/n 1018460) provides potential free true relay interface for AS/400 and other relay connected computers and industrial applications. This relay interface uses a 15-pin D-sub connector as well as wiring connections and this Relay Interface Card is installed in the X-Slot of the UPS.

Installation

The UPS does not have to be shut down when installing this Relay Interface Card.

1. Remove the cover on the X-slot of UPS to install the Relay Interface Card.
2. Put the Relay Interface Card into the slot and attach it to UPS's panel by using screws.

The following information is available from the Relay Interface Card:

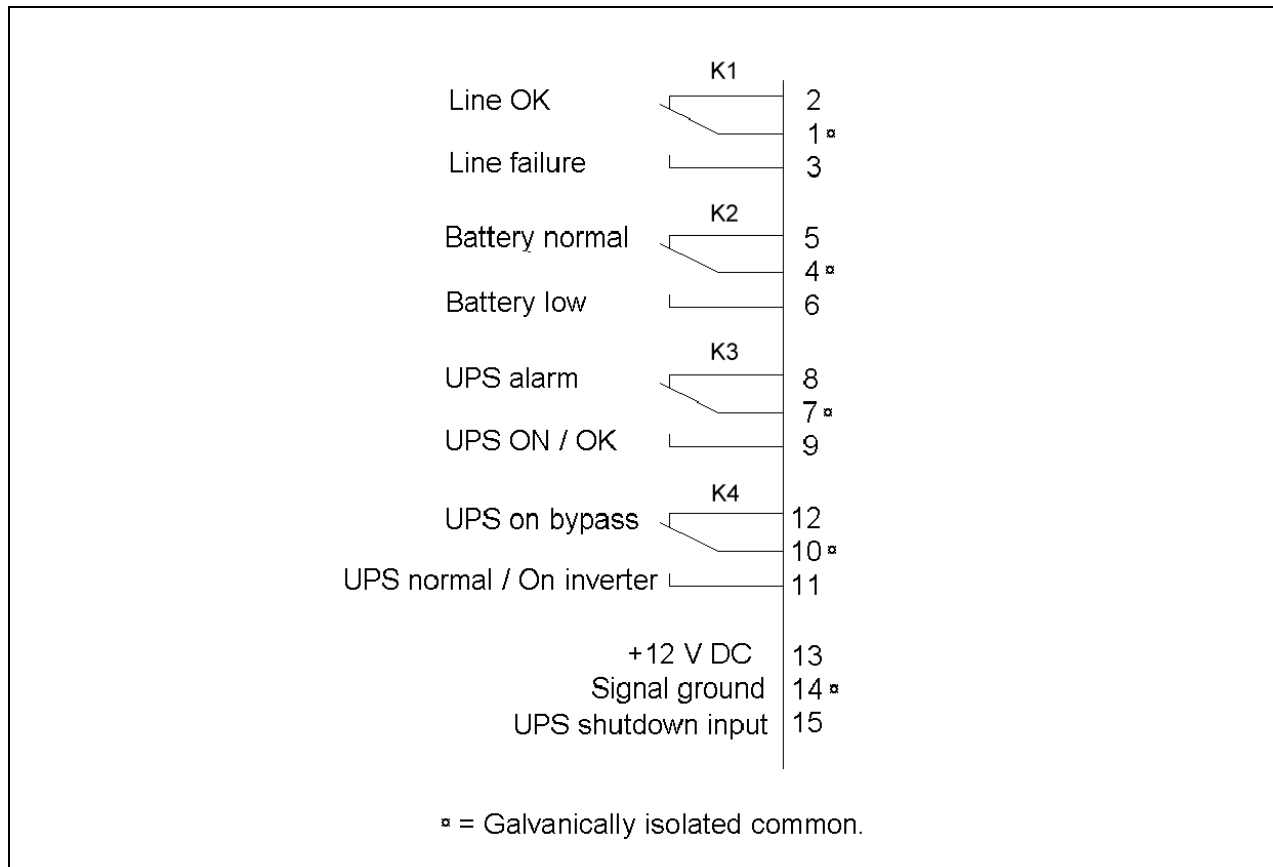


Table 1. UPS Alarm/OK and Bypass relay informations are not supported by the Powerware 5125 and Powerware 9125 UPSes.

PW UPS	Line fail	Low batt	UPS Alarm / OK	Bypass
PW 5125	X	X	-	-
PW 9125	X	X	-	-
PW 9330	X	X	-	X
PW 9340	X	X	X	X

Table 1

Table 2. Description of relay card pins and relay information.

Relay # on board	System state	D15 pin # connected	NC / NO *
K1: Line	Line OK	1 - 2	NC
	Line failure	1 - 3	NO
K2: Battery	Battery normal	4 - 5	NC
	Battery low	4 - 6	NO
K3: UPS Alarm	UPS alarm	7 - 8	NC
	UPS ON / OK	7 - 9	NO
K4: Bypass	UPS on bypass	10 - 12	NC
	UPS normal / On inverter	10 - 11	NO
	UPS shutdown **	13 - 15	

Table 2

* Normally closed (NC) /open (NO) connection state when the Relay Interface Card is not powered.

** The shutdown pin (15) needs minimum of 5 seconds high level signal (connection to +12VDC) to perform the UPS shutdown.

NOTICE: The relay contacts must not be galvanically connected to any mains connected circuits. Do not use +12VCD (Pin13) of the Relay Interface Card for any power supply purposes for external devices. Reinforced insulation to the mains is required for equipment and cables connected to these connections.

The relay contacts are rated for maximum 1A/30VAC or 200mA/60VDC. All relay outputs are galvanically isolated from the other circuits of the UPS (IEC 950, EN 50091-1).

Shut down function

The Relay Interface Card has a shut down function that can be used for shutting down the UPS remotely. UPS shut down is performed by connecting the Relay Interface Card shut down pin (15) to +12V DC (Pin 13) for minimum of 5 seconds.

This shut down function is not supported by the Powerware 9330 and 9340 UPS.